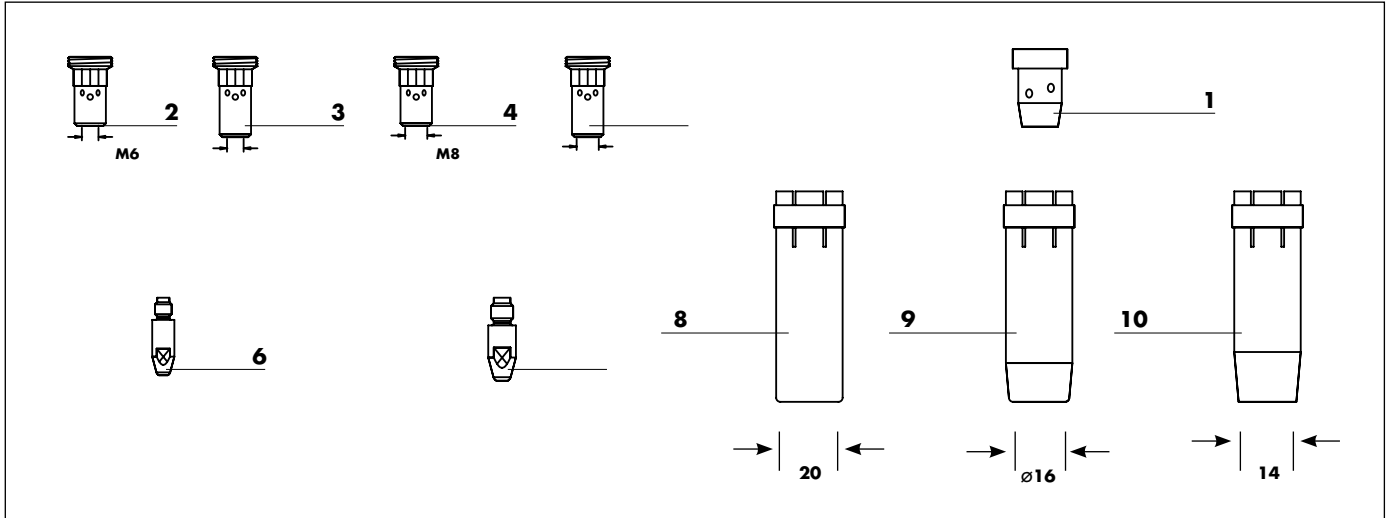


**PPW 401D WATER-COOLED Torches**  
**CONSUMABLE & REPLACEMENT PARTS**  
**LIT.9027**

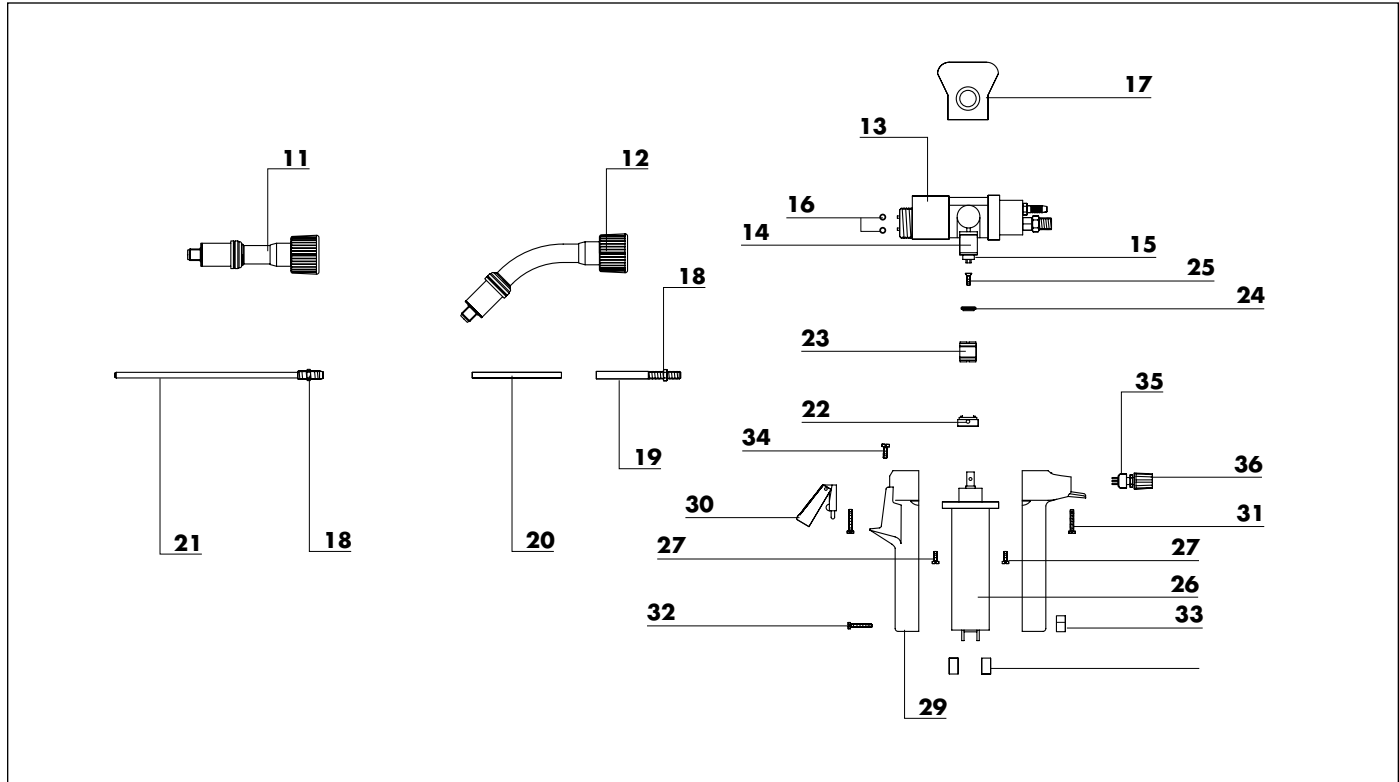




ITEM NO.	DESCRIPTION	PART NO.	ITEM NO.	DESCRIPTION	PART NO.
	PPW 401D Pistol Grip 45° 10' STD	091.9004		Contact Tip 052" M6 AL 069 (optional for aluminum)	
	PPW 401D Pistol Grip 45° 15' STD	091.0067			141.0019
	PPW 401D Pistol Grip 45° 25' STD	091.0044		Contact Tip 062" M6 AL 069 (optional for aluminum)	
	PPW 401D Pistol Grip 45° 36' STD	091.9006			141.0020
	PPW 401D Pistol Grip 180° 10' STD	091.9001		<b>M8 CONTACT TIPS - (25 Pieces)</b>	
	PPW 401D Pistol Grip 180° 15' STD	091.0068	7	Contact Tip 030" M8 CU 262 (standard)	140.0114
	PPW 401D Pistol Grip 180° 25' STD	091.0043		Contact Tip 035" M8 CU 262 (standard)	140.0214
	PPW 401D Pistol Grip 180° 36' STD	091.9003		Contact Tip 040" M8 CU 262 (standard)	140.0313
1	Diffuser MB 501/PPW STD (10 pieces)	030.0145		Contact Tip 045" M8 CU 262 (standard)	140.0442
	Diffuser Hi-Temp MB 501/PPW	030.0037		Contact Tip 052" M8 CU 262 (standard)	140.0533
N/S	Insulator Nozzle 501/PPW (10 pieces)	146.0013		Contact Tip 062" M8 CU 262 (standard)	140.0587
2	Holder Tip M6 Spray Arc 501 (10 pieces)	142.0008		Contact Tip 035" M8 AL 262 (standard for aluminum)	
3	Holder Tip M6 Short Arc 501 (10 pieces)	142.0013			141.0043
4	Holder Tip M8 Spray Arc 501 STD (10 pieces)	142.0022		Contact Tip 040" M8 AL 262 (standard for aluminum)	
5	Holder Tip M8 Short Arc 501 (10 pieces)	142.0027			141.0008
	<b>M6 CONTACT TIPS - (25 Pieces)</b>			Contact Tip 045" M8 AL 262 (standard for aluminum), (factory standard)	141.0075
6	Contact Tip 024" M6 CU 069 (optional)	140.0005		Contact Tip 052" M8 AL 262 (standard for aluminum)	
	Contact Tip 030" M6 CU 069 (optional)	140.0051			141.0055
	Contact Tip 035" M6 CU 069 (optional)	140.0169		Contact Tip 062" M8 AL 262 (standard for aluminum)	
	Contact Tip 040" M6 CU 069 (optional)	140.0242			141.0022
	Contact Tip 045" M6 CU 069 (optional)	140.0379	8	Nozzle Cylindrical 26/38/501 (5 pieces)	145.0051
	Contact Tip 052" M6 CU 069 (optional)	140.0516	9	Nozzle Conical Standard 26/38/501 (factory standard) (5 pieces)	145.0085
	Contact Tip 062" M6 CU 069 (optional)	140.0555	10	Nozzle Conical Small 26/38/501 (5 pieces)	145.0132
	Contact Tip 030" M6 AL 069 (optional for aluminum)		N/S	Nozzle Conical Heavy Duty 26/38/501 (5 pieces)	145.0086
		141.0001	N/S	Nozzle Spot Weld 26/38/501 (5 pieces)	145.0179
	Contact Tip 035" M6 AL 069 (optional for aluminum)				
		141.0004			
	Contact Tip 040" M6 AL 069 (optional for aluminum)				
		141.0006			
	Contact Tip 045" M6 AL 069 (optional for aluminum)				
		141.0010			

N/S = Not Shown

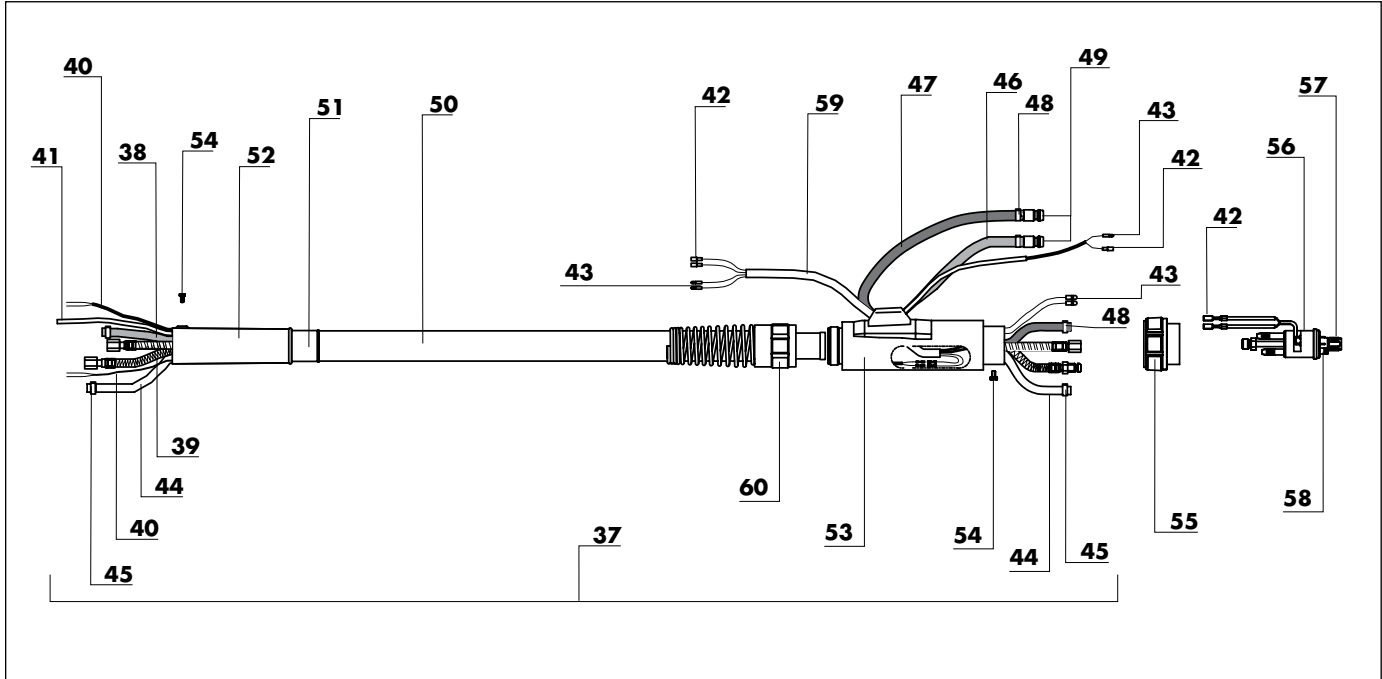
# PPW 401D Push Pull Torch



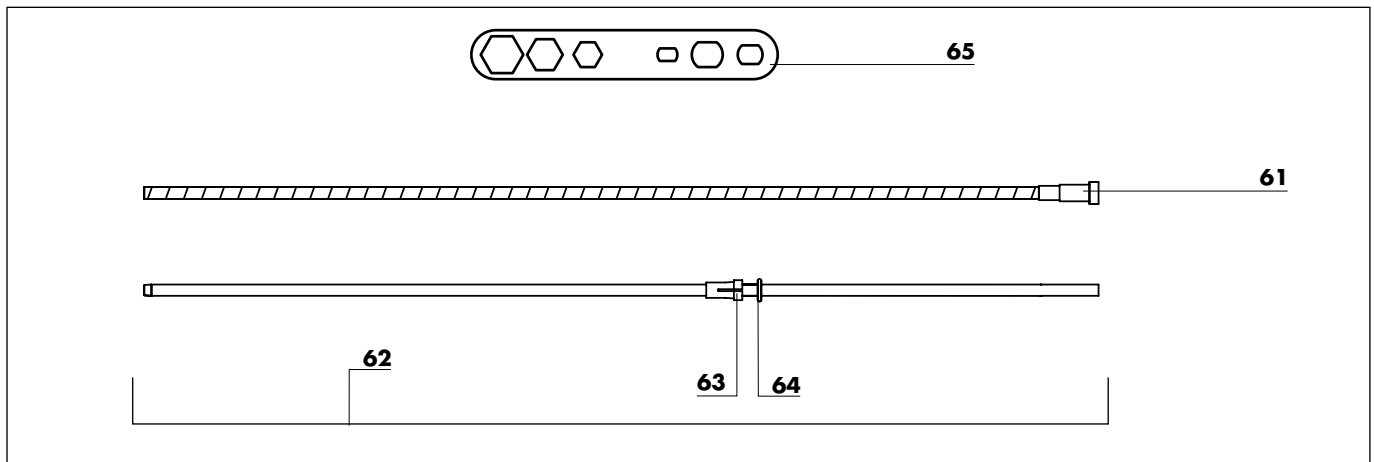
ITEM NO.	DESCRIPTION	PART NO.	ITEM NO.	DESCRIPTION	PART NO.
11	Swanneck PPW 401D 180 degrees	091.0002		Drive Roll for 040" Wire	080.0021
12	Swanneck PPW 401D 45 degrees	091.0001		Drive Roll for 045" Wire	080.0022
N/S	Washer Insulating MB38/501 (10 pieces)	030.0019		Drive Roll for 052" Wire	080.0025
13	Body PPW with Hardware (includes items 11, 11.1, 12, 13)	091.0228		Drive Roll for 062" Wire	080.0023
14	Idler Arm Complete (requires pin)	080.0007		Drive Roll for 045" Wire Knurled	080.0127
15	Bearing Idler PPG 26/PPW 401	080.0042		Drive Roll for 062" Wire Knurled	080.0126
N/S	Pin for Idler Arm	000.0636	24	Washer Drive Roll Screw	080.0017
16	O-Ring 3.0 x 1.5 mm Viton (10 pieces)	165.0054	25	Screw Flat Head M3 x 10 (10 pieces)	009.0183
17	Cap Drive Roll with Hardware	080.0122	26	Gearmotor Push-Pull 42V (includes items 18, 20, 21)	080.0010
18	Nut Hex M6 (10 piece)	081.0018	27	Screw Slotted Head M3 x 10 (10 pieces)	000.0543
19	Guide Wire Replacement (includes 081.0018, 125.9003)	081.9071	28	Brush Commutator Gearmotor (2 pieces required)	080.0046
	for use with 45 degrees Swannecks	081.9071	29	Handle Push-Pull	180.9005
20	Liner Teflon 035" - 045" 15cm (Red) for use with item 15	125.0012	30	Switch Trigger Standard	185.0005
	Liner Teflon 052" - 062" 15cm (Yellow) for use with item 15	125.9003	31	Screw Slotted Head M3 x 20 (10 pieces)	069.0003
	Liner Brass 024" - 035" (flexible) per foot	120.0018	32	Screw Slotted Head M4 x 25 (10 pieces)	000.0560
	Liner Brass 040" - 062" (flexible) per foot	120.0041	33	Nut Hex M4 (10 pieces)	009.0172
21	Guide Wire For use with 180 degrees swanneck	081.0017	34	Screw Sheet Metal M2.9 x 6.5 (10 pieces)	079.0003
22	Seat Drive Roll Complete Includes pins and screws	080.0016	35	Potentiometer 4.7 KOhm PPG/PPW	187.0003
23	Drive Roll for 024" Wire	080.0018		Call for additional selections	187.0004
	Drive Roll for 030" Wire	080.0019		Call for additional selections	187.0004
	Drive Roll for 035" Wire	080.0048	36	Knob Potentiometer with cap	400.0108
				N/S = Not Shown	

\*Knurled Drive Rolls are recommended for large, stiff, and/or difficult to feed wires.

# PPW 401D Push Pull Torch



ITEM NO.	DESCRIPTION	PART NO.	ITEM NO.	DESCRIPTION	PART NO.
37	Cable Assembly PPW 401D 10' (includes 41, 42, 43, 44, 49)	090.9001	47	Hose Water Red 5 x 8mm 2' Complete	103.0082
	Cable Assembly PPW 401D 15' (includes 41, 42, 43, 44, 49)	090.9002	48	Clamp Hose 9.5mm	171.9001
	Cable Assembly PPW 401D 25' (includes 41, 42, 43, 44, 49)	090.0038	49	Fitting Water Hose Male	501.0114
	Cable Assembly PPW 401D 36' (includes 41, 42, 43, 44, 49)	090.9004	50	Cover Cable Outer 10' Complete	107.0035
38	Power Cable 10' PPW 401	115.9064		Cover Cable Outer 15' Complete	107.0047
	Power Cable 15' PPW 401	115.9066		Cover Cable Outer 25' Complete	107.0051
	Power Cable 25' PPW 401	115.0043		Cover Cable Outer 36' Complete	107.9005
	Power Cable 36' PPW 401	115.9001	N/S	Cover Cable Outer 25 x 28mm bulk, Per foot	107.0004
39	Conduit 10' PPW 401/WHPP	153.0020	51	Support Cable Front Short W/C	400.0189
	Conduit 15' PPW 401/WHPP	153.9003	52	Support Cable Reinforced Push-Pull	090.0003
	Conduit 25' PPW 401	153.0028	53	Support Adapter Complete with Spring	501.1976
	Conduit 36' PPW 401	153.9005	54	Screw Slotted Head M4 x 6 (10 pieces)	000.0552
40	Wire 2 Conductor Bulk, Per foot	100.0019	55	Nut Adapter	500.0213
41	Wire 3 Conductor Potentiometer, Per foot	100.0023	56	Block Adapter Central Rear W/C	501.0015
42	Connector Female Trigger (10 pieces)	175.0003	57	Nut Liner Retaining M10 x 1	501.0082
43	Connector Male Trigger (10 pieces)	175.0004	58	O-Ring 4.16 x 1.07mm (10 pieces)	165.0002
44	Gas Hose, Black 4.5 x 7.5mm, Per foot	109.0040	59	Trigger Lead Jumper Rear	175.9077
45	Hose Clamp 8.7mm (10 pieces)	171.0002	60	Spring Support Rear (included with 501.1976)	500.0235
46	Hose Water Blue 5 x 8mm, Per foot	103.0002		N/S = Not Shown	



ITEM NO.	DESCRIPTION	PART NO.	ITEM NO.	DESCRIPTION	PART NO.
61	Liner Steel 024"-030" 17'	122.9001		<b>FOR ALUMINUM WIRES</b>	
	Liner Steel 024"-030" 28'	122.9009	62	Liner Hi-Life 024"-045" 17' for 10' & 15' guns	128.9040
	Liner Steel 035"-045" 17'	122.9007		Liner Hi-Life 024"-045" 28' for 25' gun	128.9038
	Liner Steel 035"-045" 28'	122.9012		Liner Hi-Life 052"-062" 17' for 10' & 15' guns	128.9041
	Liner Steel 052"-062" 17'	122.9003		Liner Hi-Life 052"-062" 28' for 25' gun	128.9039
	Liner Steel 052"-062" 28'	122.9015		Liner Polyamide 024"-045" 17' for 10' & 15' guns	128.9004
				Liner Polyamide 024"-045" 28' for 25' gun	128.9014
				Liner Polyamide 052"-062" 17' for 10' & 15' guns	128.9007
				Liner Polyamide 052"-062" 28' for 25' gun	128.9016
	<b>FOR STAINLESS STEEL WIRES</b>				
62	Liner C-Teflon 024"-030" 17' for 10' & 15' guns	127.9009	63	Collet Plastic Liner 024"-045" (10 pieces)	131.0001
	Liner C-Teflon 024"-030" 28' for 25' gun	127.9012		Collet Plastic Liner 052"-078" (10 pieces)	131.0002
	Liner C-Teflon 035"-045" 17' for 10' & 15' guns	127.9003	64	O-Ring 3.5 x 1.5mm (10 pieces)	165.0008
	Liner C-Teflon 035"-045" 28' for 25' gun	127.9011	65	Wrench Contact Tip	191.0001
	Liner C-Teflon 052"-062" 17' for 10' & 15' guns	127.9006			
	Liner C-Teflon 052"-062" 28' for 25' gun	127.9010			



Binzel S.A. de C.V.  
 Municipio de Pabellon de Arteaga 102  
 Valle de Aguascalientes 20358  
 San Francisco de los Romo, Ags. MEXICO  
 R.F.C.: BSC 980824 R84  
 Tel: +52(449) 9730133  
 Fax: +52 (449)973188  
 E-mail: binzel@prodigy.net.mx

Alexander Binzel Corporation  
 650 Medimmune Ct., Suite 110  
 Frederick, MD 21703-8619  
 Tel: 301.846.4196  
 Fax: 301.846.4497  
[www.abicorusa.com](http://www.abicorusa.com)

**1.800.542.4867**